

α-S150iB

Mechanical specifications



Clamping unit						
Clamping mechanism	5 Point double toggle					
Tonnage [kN tonf]	1500 150 Increased (1800 180)					
Maximum and minimum die height Double platen [mm]	500-200 Increased (600-200)					
Maximum and minimum die height Single platen [mm]	575-275 Increased (675-275)					
Clamping stroke [mm]	440					
Locating ring diameter [mm]	Ø 160					
Tie bar spacing, HxV [mm]	560 x 510					
Platen size, HxV [mm]	800 x 750					
Minimum mould size, HxV [mm] *1	325 x 300					
Maximum mold weight Double platen Single platen (Moving-Stationary) *2	800 - 800 1060 - 800					
Ejector stroke [mm]	150					
Maximum ejector force [kN tonf]	35 3.5 Increased (80 8.0)					
Injection unit						
Screw diameter [mm]	32	36	40	44	48	52 *11
Injection stroke [mm]	150	150	150	176	176	208
Max. injection volume [cm ³]	121	153	188	268	318	442
Nozzle touch force [kN tonf] *8	30 3.0 Increased (50 5.0)					
Max. Injection Speed mm/s *4	200					
Max. injection & Hold Pressure 1 [MPa] *3 *6	310	310	260	220	230	200
Max. injection & Hold Pressure 2 [MPa] *3 *7	280	280	260	220	230	200
Max. injection rate [cm ³ /s] *4	160	203	251	410	488	573
Max. screw rotation speed [min ⁻¹]	400					
Machine weight Double platen Single platen [t] *9	7.05 ≈ 6.8					
Max. Injection Speed mm/s *4	350					
Max. injection pressure (high-pressure filling mode) [MPa] *3 *5	380	345	-	-	-	-
Max. injection & Hold Pressure 1 [MPa] *3 *6	310	310	280	240	190	160
Max. injection & Hold Pressure 2 [MPa] *3 *7	280	280	260	220	190	160
Max. injection rate [cm ³ /s] *4	281	356	439	532	633	743
Max. screw rotation speed [min ⁻¹]	400					
Machine weight Double platen Single platen [t] *9	7.2 ≈ 6.95					
Screw and Barrel						
Number of heater zones [Barrel]	3					
Number of pyrometers [Nozzle]	1					
Total heater wattage [kW]	12.0	13.0	14.9	15.9	17.9	20.2

● standard - not available () with hardware and/or software option

*1) Smaller mold than this size may limit clamp force.

*2) If the weight of a mold exceeds maximum mold weight, the molding condition may be limited.

*3) Maximum injection pressure and maximum hold pressure are the output of the injection unit, not the resin pressure.

- Maximum injection pressure and maximum pack pressure are the maximum values that can be set.

*4) Maximum injection rate and maximum injection speed is a theoretical value.

- Maximum injection rate and maximum injection speed can not be guaranteed when the injection pressure is maximum.

*5) The maximum injection pressure setting at high pressure filling mode option.

- There is a limitation in injection time setting and pack time setting, when high pressure filling mode option is selected. (Contact sales for detail)

*6) Maximum injection pressure 1 and maximum hold pressure 1 are the values when the wear-resistant and anti-corrosion cylinder etc. is installed.

- Maximum injection pressure and maximum pack pressure may vary depends on the installed screw and cylinder specifications.

*7) Maximum injection pressure 2 and maximum hold pressure 2 are the values when the general purpose cylinder etc. is installed.

- Maximum injection pressure and maximum pack pressure may vary depends on the installed screw and cylinder specifications.

*8) Sprue break cannot be used with increased nozzle touch force option.

*9) The machine without option.

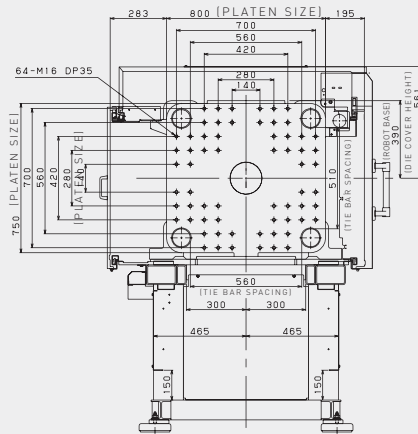
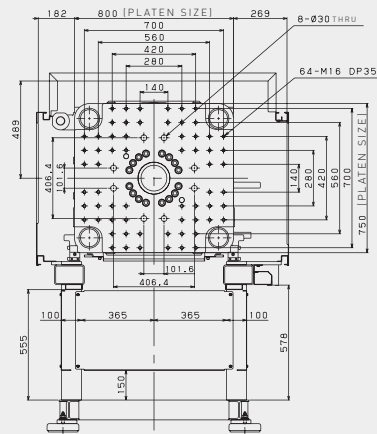
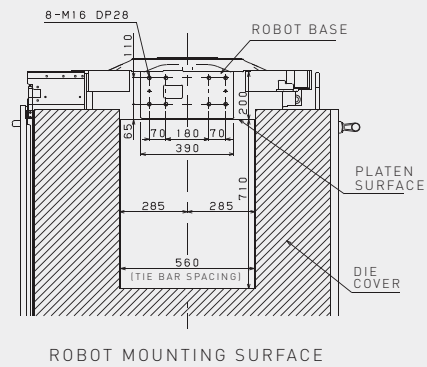
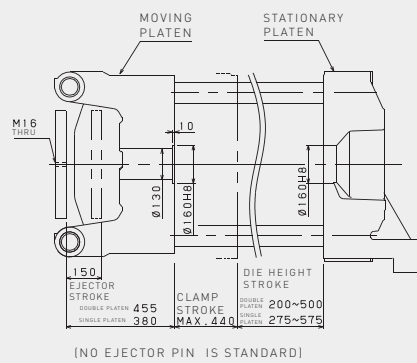
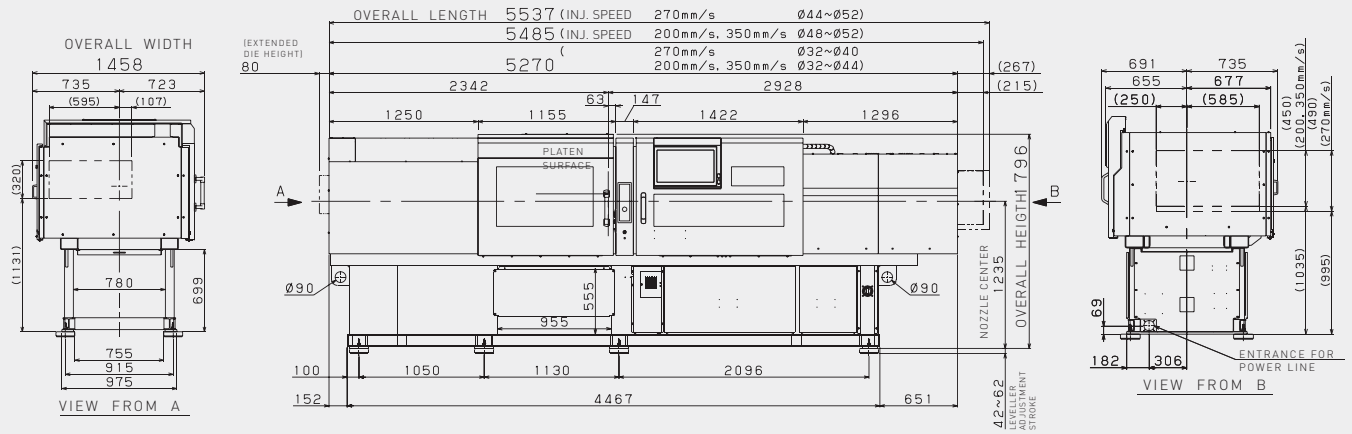
*10) The pressure conversion is 1MPa=10kgf/cm².

*11) The molding condition might be limited by the resin. (Contact sales for detail)

*12) In case of the replacement to different screw diameter after shipment, some covers may be needed to replace. (Contact sales for detail)

α-S150iB

Dimensions / Clamp layout



MOVING PLATEN

STATIONARY PLATEN